

DC840

Concealed door closer with Cam-Motion® technology and guide rail



ASSA ABLOY DC840

- Available with small standard guide rail G892 or standard guide rail G893
- Fulfills barrier-free building requirements (DDA/ CEN TR 15894)
- Certified in compliance with EN 1154, size 1-4
- Suitable for fire and smoke protection doors
- For single action doors up to 1100 mm wide

Characteristics for DC840

- Can be used for left and right-handed doors
- Closing speed and latching speed adjustable from top via regulating valves
- Built-in backcheck
- Thermodynamic valves for consistent performance
- Opening angle up to 120°
- Large range of applications
- Versions with 4 mm and 8 mm spindle extensions
- Standard colours: silver EV1
- Customised finishes available on request

Characteristics for standard guide rail G892

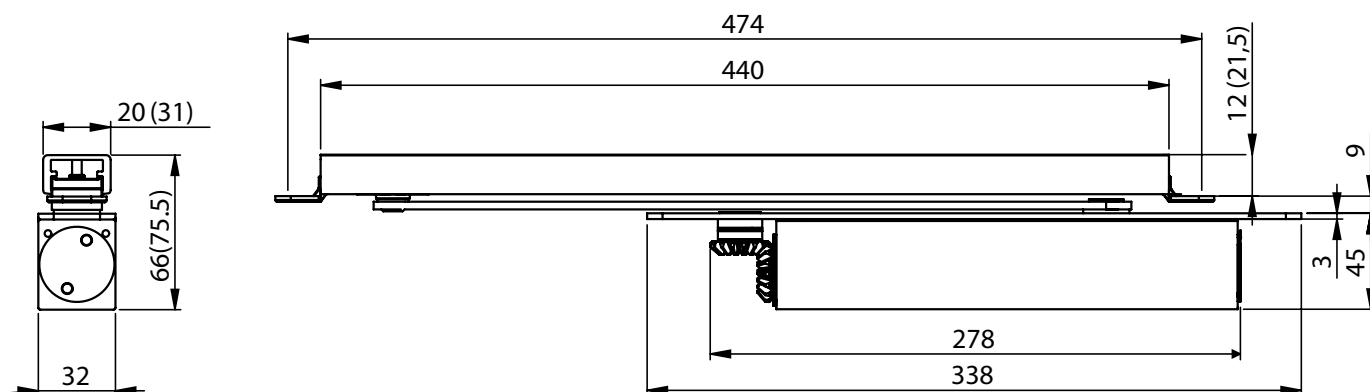
- Small size guide rail
- For standard applications
- Installation dimensions: see diagram

Characteristics for guide rail G893

- Guide rail suitable for equipping with hold-open device and backcheck
- Installation dimensions: see diagram (dimensions in brackets)



CE	Abloy Oy	11
	PO Box 108 80101 Joensuu, Finland	
0432-CPD-0047	EN1154:1996+A1:2002	3 8 $\frac{4}{1}$ 1 1 3



DC840

Technical attributes

Technical attributes	
Door width up to	1100 mm
Variable adjustable closing force	EN 1-4
Fire and smoke protection	yes
DIN door swing directions	left / right handed
Closing speed	variable 120° - 7°
Latching speed	variable 7° - 0°
Opening angle	ca. 120°
Weight	1.4 kg
Height	45 mm
Depth	32 mm
Length	278 mm
Certified in compliance with	EN 1154
CE marking for building products	yes

The advantages at a glance

Our service for you: here you can see the individual advantages of our door closer models for your respective field of business.

Customer segment	Advantages
Project planners	- Extensive range of uses: fire, smoke protection and standard doors - Fulfills barrier-free building requirements (DDA, CEN/TR 15894) - Comprehensive functions, standard or optional
Builders	- Quick and easy installation - Quickly and easily adjustable - Suitable for left and right handed doors
Trade	- Reduced inventory costs due to modular product range - One single product suitable for a large variety of mounting positions - Complementary accessories available for the whole product range
User	- Easier door opening and improved accessibility due to rapidly decreasing torque - Largely unaffected by temperature fluctuations thanks to thermodynamic valves

Specifications for DC840

ASSA ABLOY Concealed Door Closer DC840 with CAM Motion® Technology and concealed guide rail in compliance with EN 1154

- Closing power continuously adjustable, EN size 1-4, for doors up to 1100 mm wide
- Closing speed, latching speed and closing force continuously adjustable when installed
- CE approved
- Suitable for left and right handed doors
- Additional verification of suitability required for the respective fire or smoke protection door

Accessories:

- Small concealed guide rail G892
- Standard concealed guide rail G893
- Mechanical hold open device A152 for G893
- Mechanical opening damper A153 for G893
- Mechanical hold open device A156 for G892
- Mechanical opening damper A157 for G892
- Fixing plate A162

Colour:

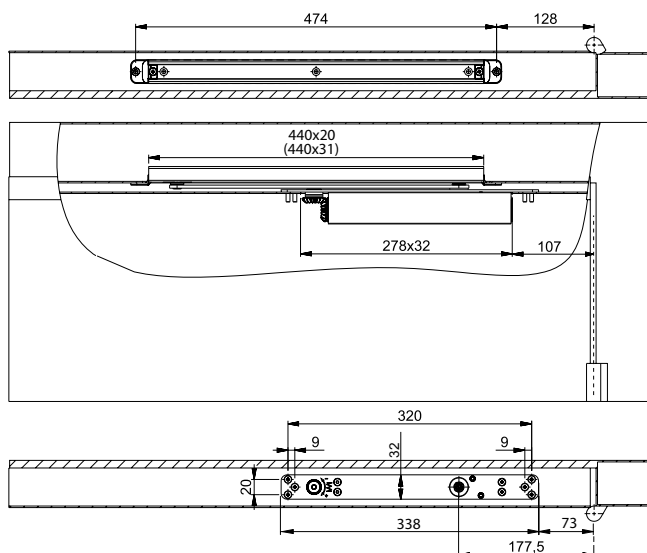
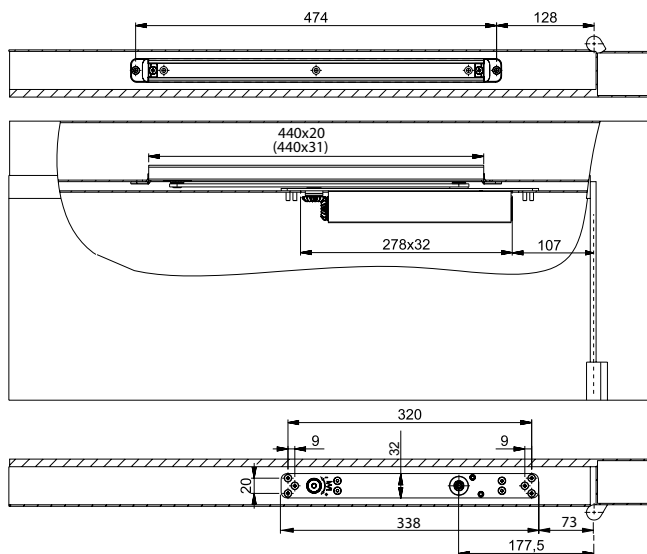
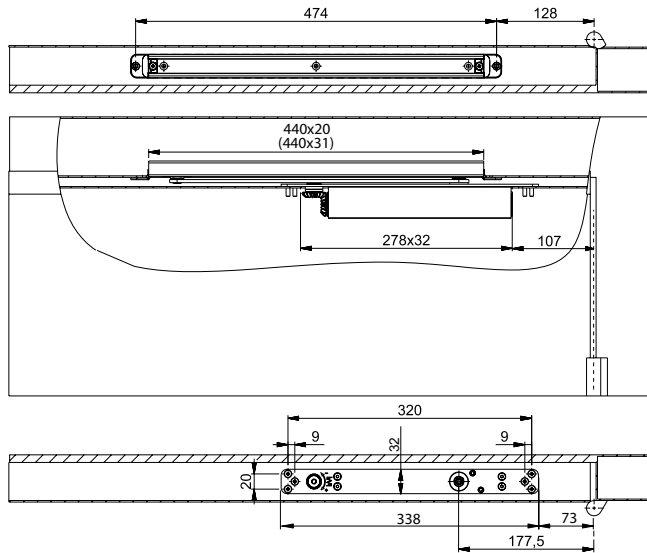
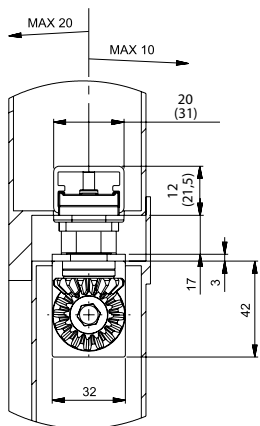
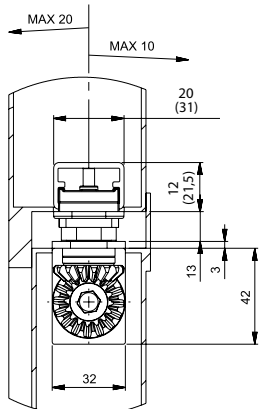
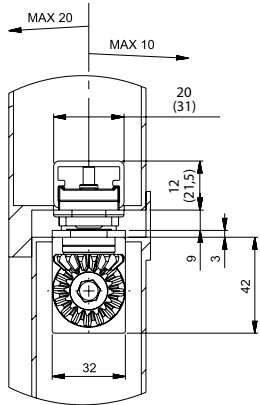
- Silver EV1
- Customised finish

You can find the complete specifications on the Internet at: (Link of your companies homepage)

DC840

Dimensional drawings

Concealed systems



Installation dimensions

Right handed door shown in diagram
Left handed door is the reverse

Installation dimensions with 4 mm axis extension

Right handed door shown in diagram
Left handed door is the reverse

Installation dimensions with 8 mm axis extension

Right handed door shown in diagram
Left handed door is the reverse

DC840

Accessories and order placement information

Hold open device A152

Mechanical hold-open device for doors which sometimes need to be secured in the open position.

Simple fitting into guide rail G893.

Hold-open angle max. 120°.

Adjustable hold-open force

Not approved for use on fire and smoke protection doors.

**Opening damper A153**

Helps to prevent the door and door handle from hitting a return wall.

Simple fitting into guide rail G893, does not replace a door stop.

**Hold open device A156**

Mechanical hold-open device for doors which sometimes need to be secured in the open position.

Simple fitting to guide rail G892.

Not approved for use on fire and smoke protection doors.

**Opening damper A157**

Helps to prevent the door and door handle from hitting a return wall.

Simple fitting into guide rail G892, does not replace a door stop.

**Fixing plate A162**

Mounting plate set for metal doors.



Description	Order no.	Description	Order no.
DC 840 EN size 1 – 4, silver EV1		Concealed standard guide rail G893, silver EV1	
DC840 EN size 1-4, spindle extension 4 mm, silver EV1		Concealed standard guide rail G893, customised finish	
DC840 EN size 1-4, spindle extension 8 mm, silver EV1		Hold open device A152	
Concealed Standard Guide Rail G892, small, silver EV1		Opening damper A153	
Concealed Standard Guide Rail G892, small, customised finish		Hold open device A156	
		Opening damper A157	
		Mounting Plate A162, galvanised	