



D81-D83 series: applications for iron and aluminum frames

assaabloy.com/it

ASSA ABLOY
Opening Solutions

Experience a safer
and more open world

D81-D83 series, solutions for any frames

D81 and D83 locks of ASSA ABLOY are available in different versions for the **maximum application versatility**:

- With 1 or 3 closing points for standard applications.
- Multipoint for high security solutions.



In the D81 and D83 locks, **the latch has a comfort system** to reduce the noise during the closing phase and to limit the counter strike wear: the frictions are minimized, the closing is facilitated.



Three functions, a single lock

D81 and D83 locks are configurable in three different functions for every installation needs:

- comfort latch and deadbolt (latch adjustment 10 ÷ 15 mm)
- roller and deadbolt (roller adjustment 6 ÷ 13 mm)
- deadbolt only / hook only

The comfort latch and the roller are exchangeable on the same lock. Instead, if we occlude the hole, it becomes only deadbolt.



D81 SERIES



D83 SERIES



A complete range of accessories for the D81 series



Stainless steel extensions

- fixed lower part (handle to 1050 mm above the ground).
- trimmable upper part for door up to 2300 mm height.
- only one cut to adapt with the door height.

Extra rods and any deadbolts for the D81 lock.

Adjustable counter strikes in stainless steel or fix in nylon for any needs and applications.

The D81 lock has a **stainless-steel front plate** to hide regulation holes and rods fix holes on the front for a clean and pleasant design.



D83 SERIES

The fixed D83 front plate avoids additional steps and cuts during the installation phase, improves the workshop practicality and reduces the occupied space for the better warehouse management.

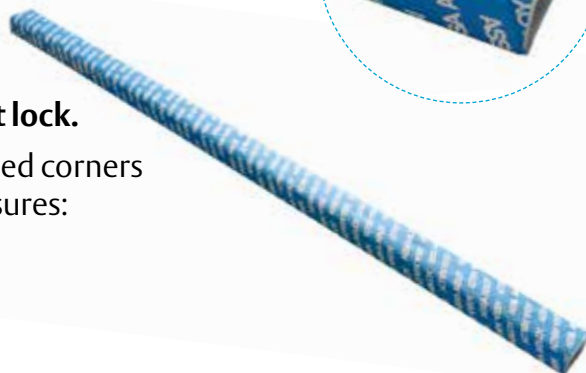
A stainless-steel extension kit is available for special installations.

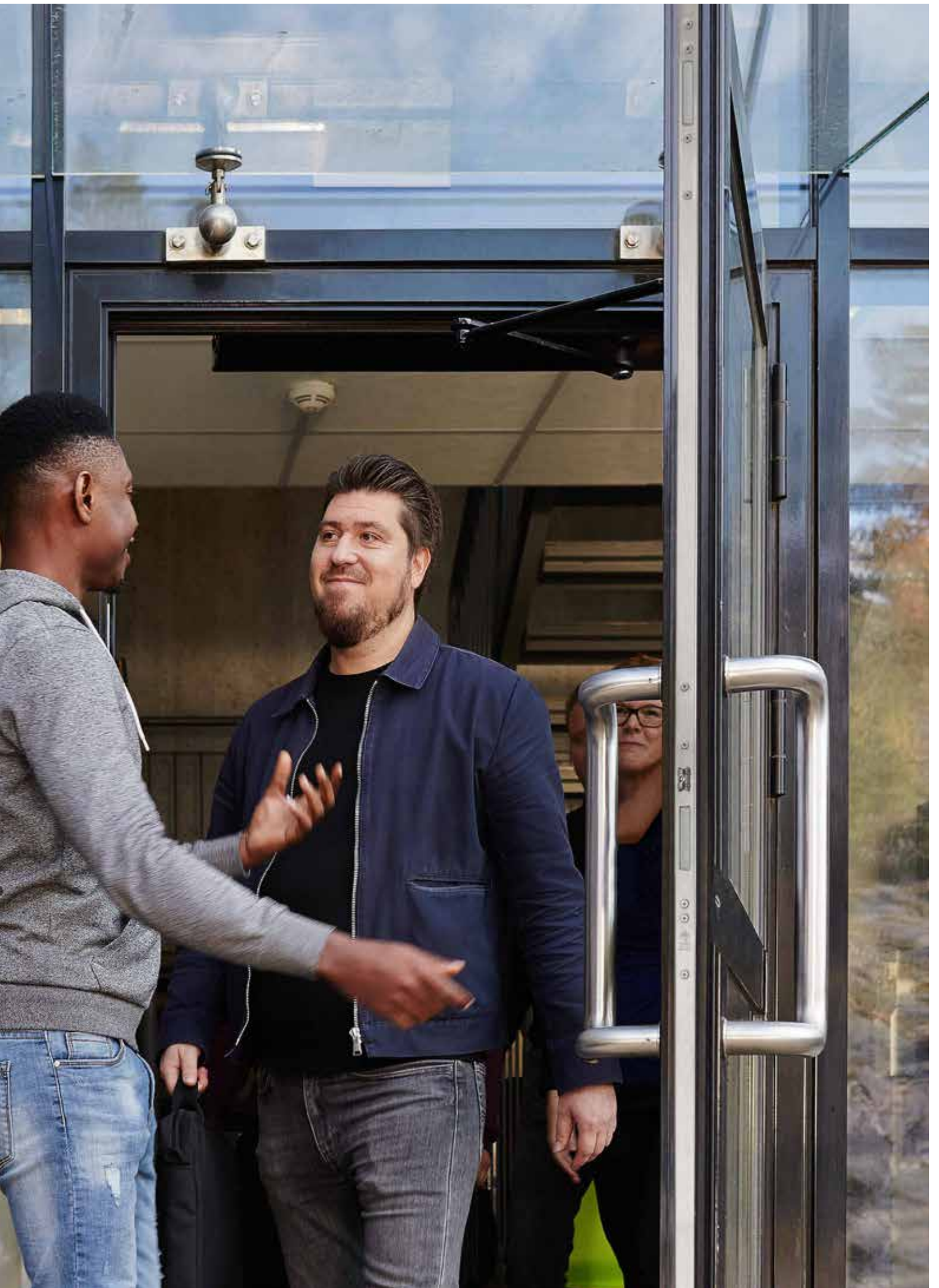
Special packaging for maximum protection

Special packaging designed by ASSA ABLOY for the D83 Multipoint lock.

Thanks to the square section, the rounded corners and a safety and resistant material, it assures:

- Product protection
- Stability (prevents the rolling)
- Space optimisation (easy to stack)





D81 series for narrow profiles

Lock with swinging deadbolt or hook

 Safety level
MEDIUM

 Wear resistance
MEDIUM

 Apply on
ALUMINUM

Application type
Multi applications



Latch and deadbolt
Without rods connectors

Latch and deadbolt
With rods connectors

Hook only
Without rods connectors

With hook
With rods connectors

Features


- **Comfort latch**
- 1 locking point
- The latch and the roller are exchangeable on the same lock. Instead, if we occlude the hole, it become only deadbolt
- Depth latch adjustment, from 10 to 15 mm; depth roller adjustment, from 6 to 13 mm
- Reversibility on all models
- Hook only (option)
- Front plate and its flat cover, from 22 to 25 mm
- Center distance handle/cylinder 85 mm
- Backset from 25 - 30 - 35 mm
- Holes on the frontplate for easy installation of internal rods
- For euro profile cylinders or cross key cylinders 6808 series


Finishes:

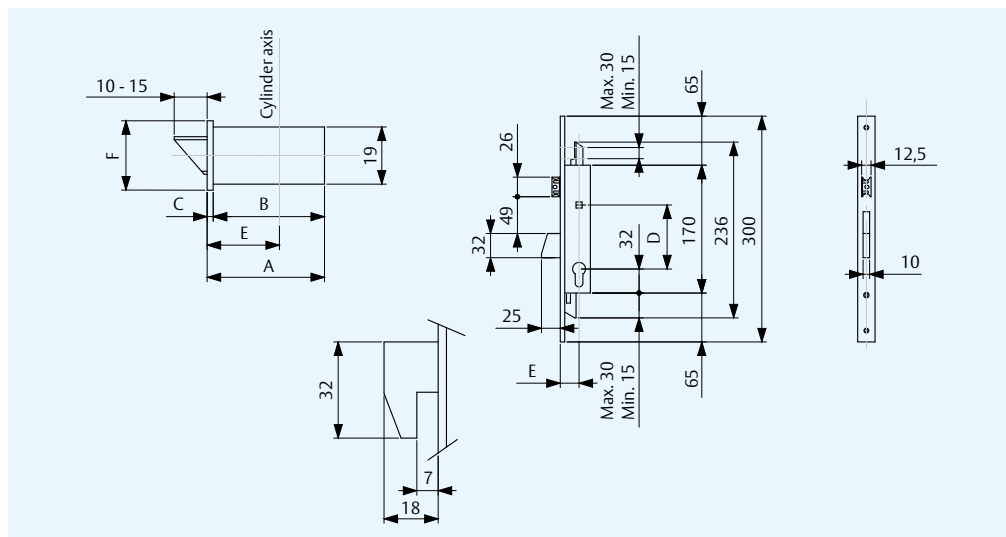
- Stainless steel front plate cover
- Galvanized steel locks

To be ordered separately

- Cylinder
- Counter strikes
- Roller kit

 For European profile cylinder




 European profile cylinder with cross key



Code	Backset (mm)	Center Distance (mm)	Front plate (mm)
D81125SCA22P850	25	85	22 x 3
D81130SCA22P850	30	85	22 x 3
D81135SCA22P850	35	85	22 x 3
D81125SCA25P850	25	85	25 x 3
D81130SCA25P850	30	85	25 x 3
D81135SCA25P850	35	85	25 x 3
D81325SCA22P850	25	85	22 x 3
D81330SCA22P850	30	85	22 x 3
D81335SCA22P850	35	85	22 x 3
D81325SCA25P850	25	85	25 x 3
D81330SCA25P850	30	85	25 x 3
D81335SCA25P850	35	85	25 x 3
D81125SGA25P850	25	-	25 x 3
D81130SGA25P850	30	-	25 x 3
D81135SGA25P850	35	-	25 x 3
D81325SGA25P850	25	-	25 x 3
D81330SGA25P850	30	-	25 x 3
D81335SGA25P850	35	-	25 x 3

D83 series for narrow profiles

D83 lock with swinging deadbolt or hook

-  Safety level
MEDIUM
 -  Wear resistance
MEDIUM
 -  Apply on
ALUMINIUM
- Application type
Multi applications



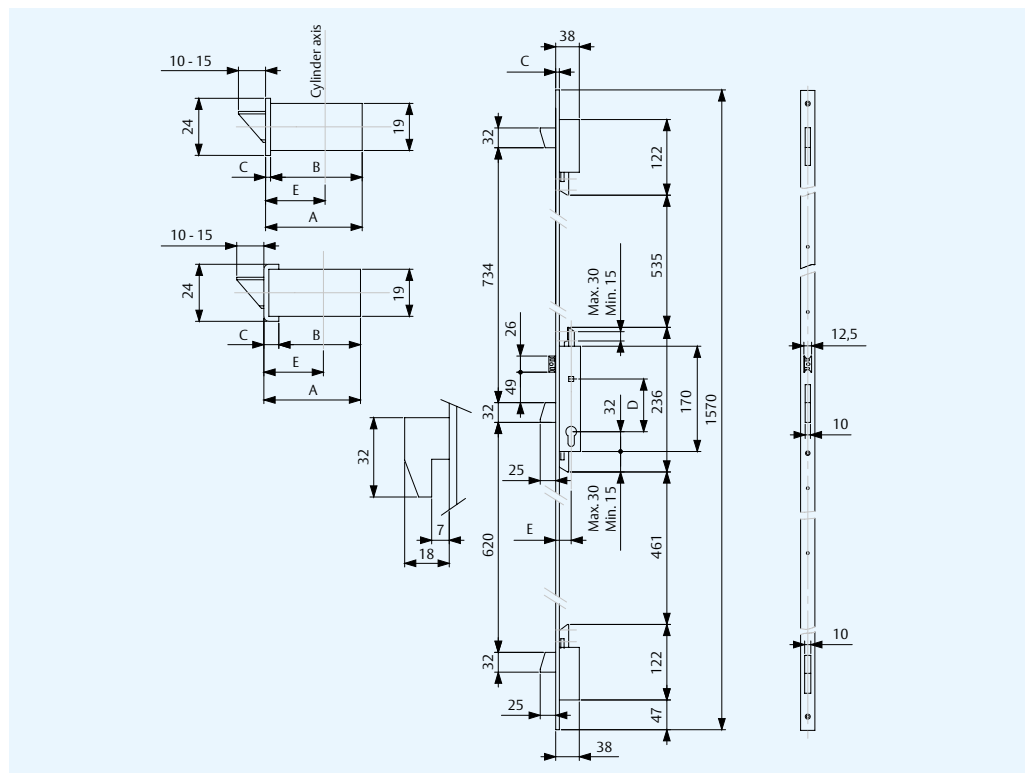
Features

- **Comfort latch**
- 3 locking points
- The latch and the roller are exchangeable on the same lock. Instead, if we occlude the hole, it become only deadbolt
- Depth latch adjustment, from 10 to 15 mm; depth roller adjustment, from 6 to 13 mm
- Reversibility on all models
- Swinging deadbolts
- Hook only (option)
- Flat front plate 24x3 mm, with U shape 23x6 mm, fixed length 1570 mm
- Center distance handle/cylinder 85 mm
- Backset from 25 - 30 - 35 mm
- For euro profile cylinders or cross key cylinders 6808 series

- **Finishes:**
 - Stainless steel front plates
 - Galvanized steel locks, three deadbolts

To be ordered separately

- Cylinder
 - Counter strikes
 - Roller kit
-  For European profile cylinder
 -  European profile cylinder with cross key



Code	Model	Front plate	E	A	B	C	D
D83025SCA24U850	Latch and deadbolt	U	25	40	37	6	85
D83030SCA24U850	Latch and deadbolt	U	30	45	42	6	85
D83035SCA24U850	Latch and deadbolt	U	35	50	47	6	85
D83025SGA24U850	Only deadbolt with hook	U	25	40	37	6	-
D83030SGA24U850	Only deadbolt with hook	U	30	45	42	6	-
D83035SGA24U850	Only deadbolt with hook	U	35	50	47	6	-
D83025SCA24P850	Latch and deadbolt	Flat	25	40	34	3	85
D83030SCA24P850	Latch and deadbolt	Flat	30	45	39	3	85
D83035SCA24P850	Latch and deadbolt	Flat	35	50	44	3	85

Locks for safety grilles and blinds

1 or 3 locking points, for steel frames



Safety level
HIGH



Wear resistance
STANDARD



Apply on
IRON

Application type
Blinds/Grilles



Features

- **Comfort latch**
- The latch and the roller are exchangeable on the same lock. Instead, if we occlude the hole, it become only deadbolt
- Depth latch regulation: from 10 to 15 mm.
Depth roller regulation: from 6 to 13 mm
- Reversibility on all models
- Front plate and its stainless steel flat cover from 25 mm
- Center distance handle/cylinder 85 mm
- Backset from 25 - 30 - 35 mm
- Holes on the frontplate for easy installation of internal rods
- For euro profile cylinders or cross key cylinders 6808 series
- Finishes:
 - Stainless steel front plate cover
 - Galvanized steel locks

Package

- No.1 stainless steel front plate cover
- No.2 galvanized steel rosettes for cylinder
- No.2 M8 threaded rod connections
- No.1 cylinder fixing screw
- No.1 cover cap for the latch hole
- No.2 ferrules/screws for the rods fixing

To be ordered separately

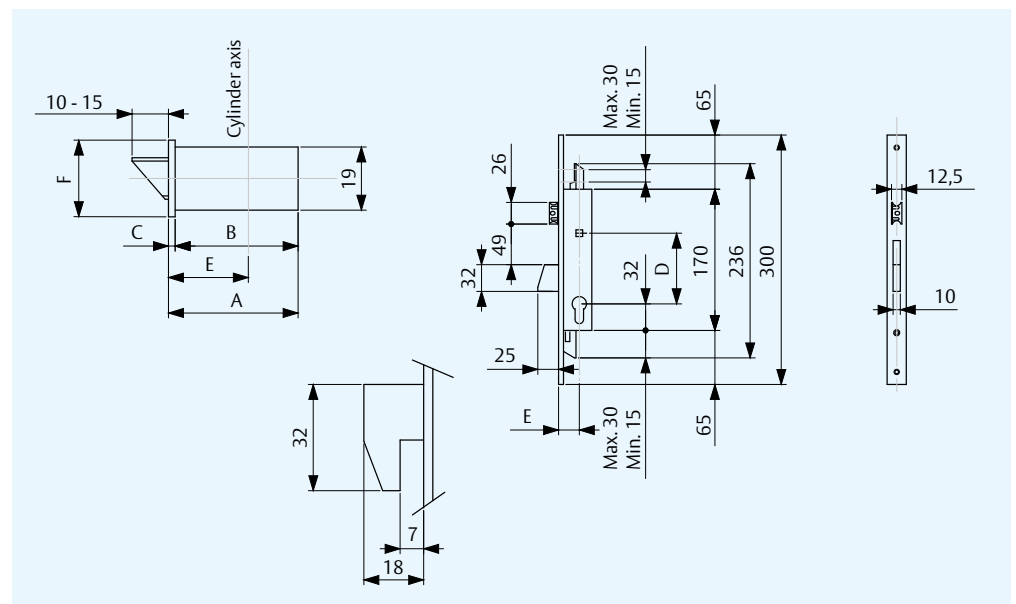
- Cylinder
- Counter strikes
- Roller kit



For European profile cylinder



European profile cylinder with cross key



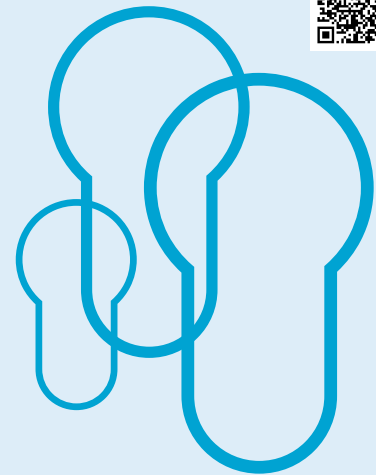
Code	Closing points	Finish	Backset (mm)	Center distance (mm)	Front plate (mm)	Pieces
D81125SCF25P851	1	Inox	25	85	25x3	24
D81130SCF25P851	1	Inox	30	85	25x3	24
D81135SCF25P851	1	Inox	35	85	25x3	24
D81325SCF25P851	3	Inox	25	85	25x3	24
D81330SCF25P851	3	Inox	30	85	25x3	24
D81335SCF25P851	3	Inox	35	85	25x3	24

High performance with the ASSA ABLOY cylinder range



For the best product compatibility, it is recommended to rely on the cylinders of the ASSA ABLOY range, precisely designed to last over time and to adapt to any context, from residential to commercial, including public and industrial.

For more information, please visit www.assaabloy.com/it



Gemma

- No. 6 pins
- Brass body with polished finish
- Available also in nickel finishing
- Anti-drill pins on body and plug, resistance up to 5 minutes
- Anti-bumping and anti-picking pins (anti bump key)
- No. 3 nickel brass long-necked keys
- EN 1303:2015 1 6-B-C 6 D certified
- Frictioned as optional



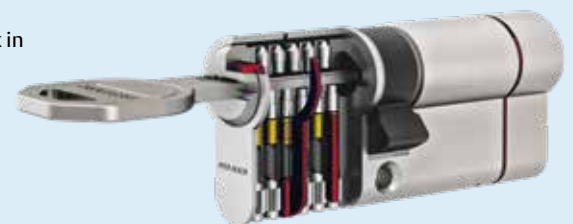
Sirio

- No.6 pins
- Brass body with satin finish
- Available also in nickel finish
- Anti-drill pins on body and plug, resistance up to 5 minutes
- Anti-bumping and anti-picking pins (anti bump key)
- No. 5 nickel brass long-necked keys
- EN 1303:2015 1 6-B-C 5 D certified
- Emergency clutch as optional
- Safety card for the duplication
- Availability of dedicated profiles
- Availability of construction key (1+5)



Sirio Pro

- Brass body in nickel satin finish
- No. 11 pins
- Anti Snap cut
- 5 punched reversible keys with long neck in nickel plated brass
- Anti-drill pins on body and plug
- Anti-bumping pins (anti bump key)
- Safety card for the duplication
- Availability of customized frames
- Frictioned as optional
- Availability of worksite key (1+5)
- EN 1303:2015 1 6-0-C 5 C certified

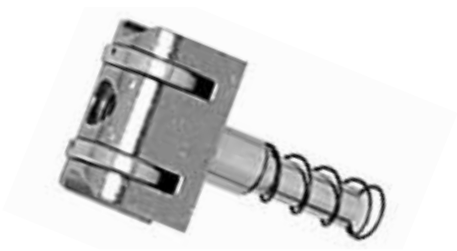


CY110

- Master key system platform
- Brass body in nickel satin finish
- No.6 pins
- Anti-drill pins on body and plug
- Anti-bumping pins (anti bump key)
- Punched reversible keys in nickel silver for KA and MKS
- Safety card for the duplication
- EN 1303:2015 1 6-B-C 5 D certified*



D81-D83 accessories



Adjustable roller kit with rod and spring

IR AL

Code	Finish	Description	Pieces
D09801025000	-	Backset = 25 mm	12
D09801030000	-	Backset = 30 mm	12
D09801035000	-	Backset = 35 mm	12



Couple of M8 rods connections

For triple locks

IR AL

Code	Finish	Description	Pieces
D0980006000	-	For threaded rods	12

Extensions

Fixed lower part (handle to 1050 mm above the ground), trimmable upper part for door up to 2300 mm height. Only one cut needs for adapting with the door height. Nylon joints and terminals.

AL

Code	Finish	Description	Pieces
D0980004000	Inox	U shape (23x6 mm)	4
D0980005000	Inox	Flat (24x3 mm)	4

Switches for internal rods

Swinging bolts for D81 / Three points

AL

Code	Finish	Description	Pieces
D0980010000	-	With deadbolt	1

Bent pair of rods

AL

Code	Finish	Description	Pieces
D0980001000	-	Complete with two universal hedges and one floor scutcheon	10

Floor scutcheons ø12

IR

Code	Finish	Description	Pieces
D0498003000	-	For rods ø10	1





Floor scutcheons ø16

IR AL

Code	Finish	Description	Pieces
D0980008000	-		1



Pair of anti-saw hedges

IR AL

Code	Finish	Description	Pieces
D0980009000	-	ø8	1



Connectors

AL

Code	Rods thickness	Description	Pieces
D0980002000	5 mm		1
D0980003000	7 mm		1



Straight pair of rods

AL

Universals

Code	Finish	Description	Pieces
D0980000000	-	Complete with two universal hedges and one floor scutcheon	10



Rosettes

IR

Code	Finish	Description	Pieces
D0980007000	Galvanized steel		12



Straight pair of rods

IR

Code	Finish	Description	Pieces
D0980001800	-	With M8 threaded connection / Complete with two hedges	10

The ASSA ABLOY Group is the global leader in access solutions. Every day, we help billions of people experience a more open world. ASSA ABLOY Opening Solutions leads the development within door openings and products for access solutions in homes, businesses and institutions. Our offering includes doors, door and window hardware, locks, access control and service.

ASSA ABLOY
Opening Solutions

