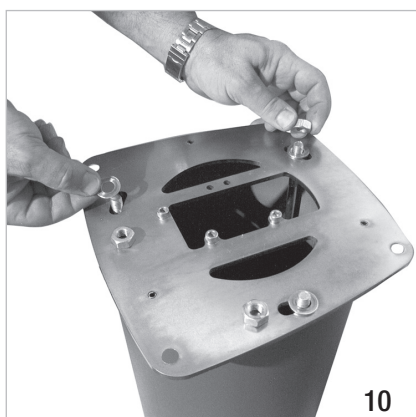
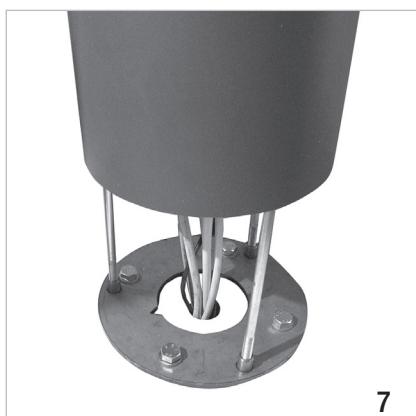
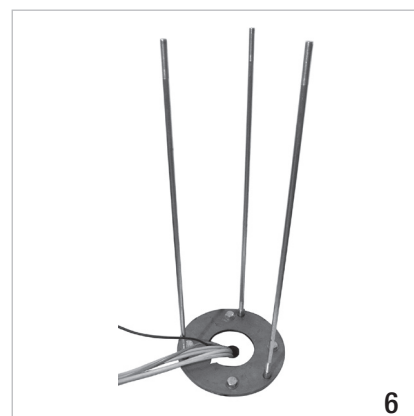
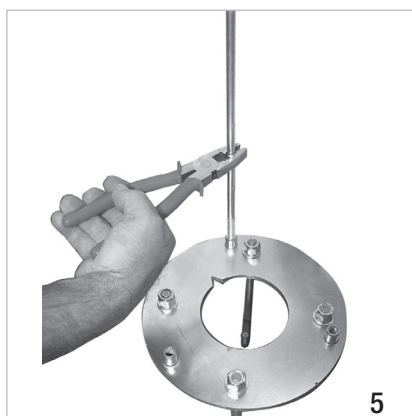
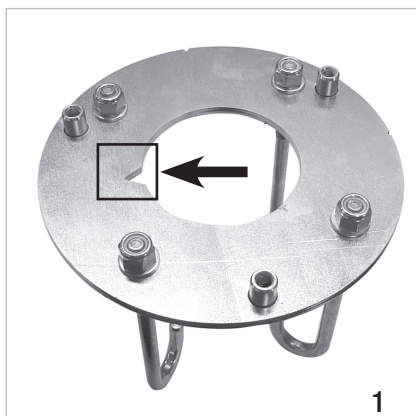
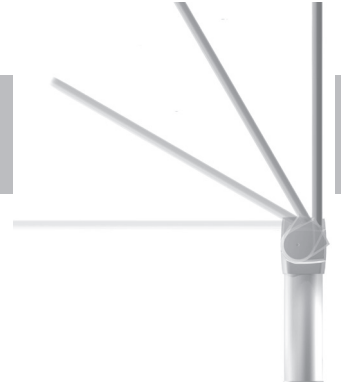


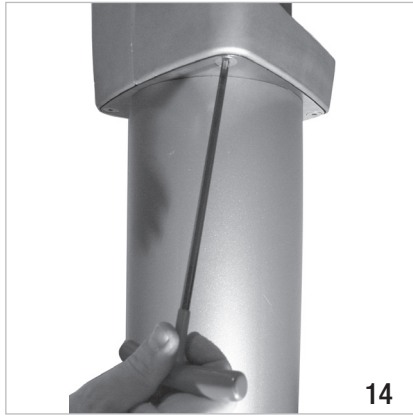
PRESIDENT PHOTO

BREVETTO N° - PATENT N. 0000252055 - EP1295992





13



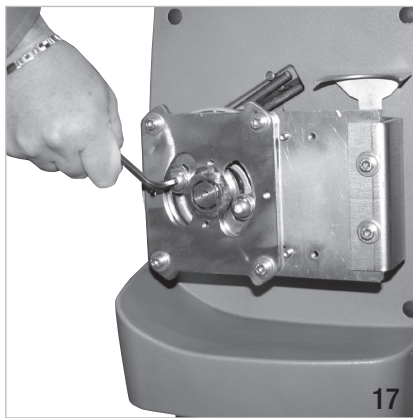
14



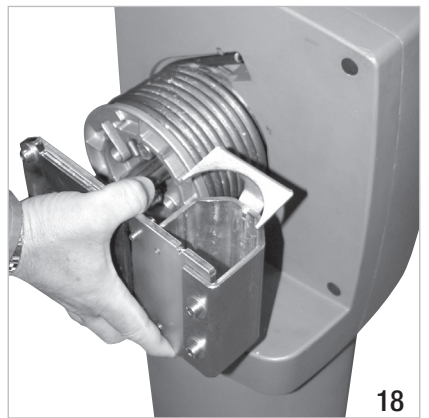
15



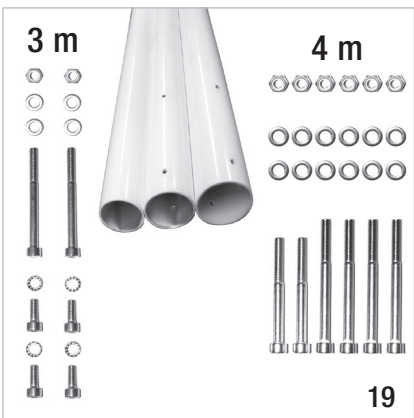
16



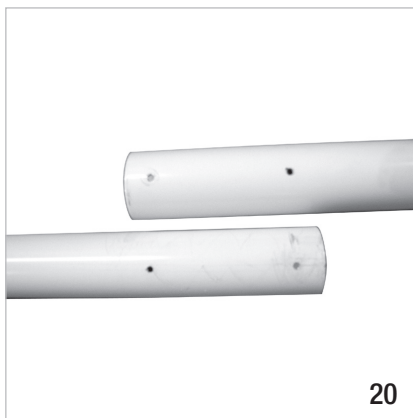
17



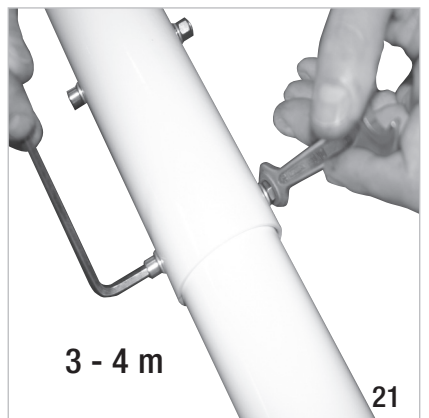
18



19

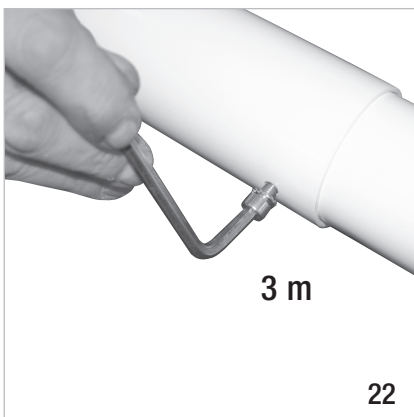


20



3 - 4 m

21



3 m

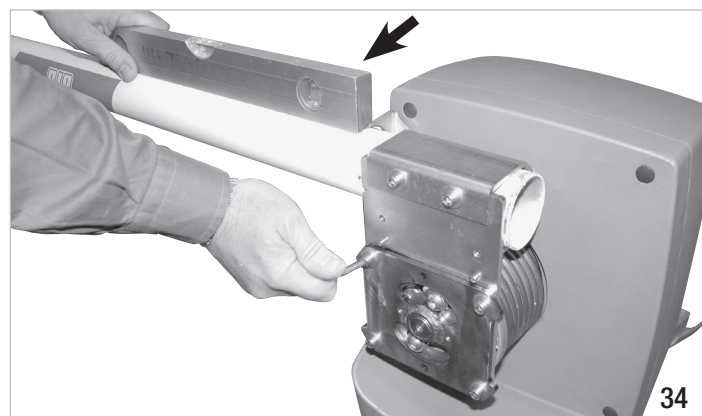
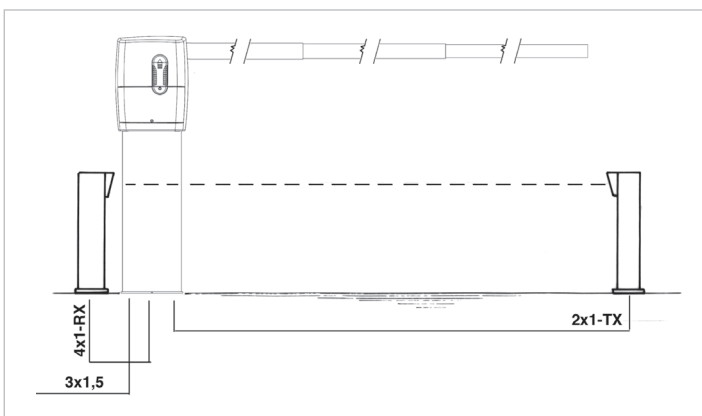
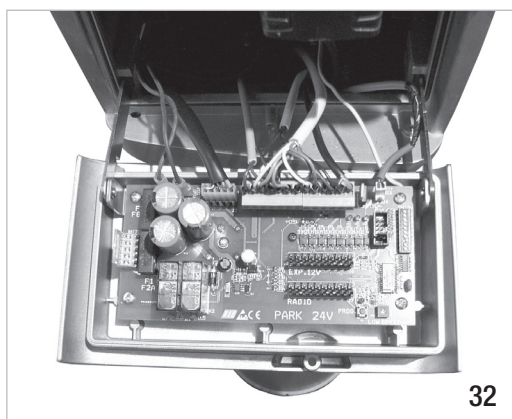
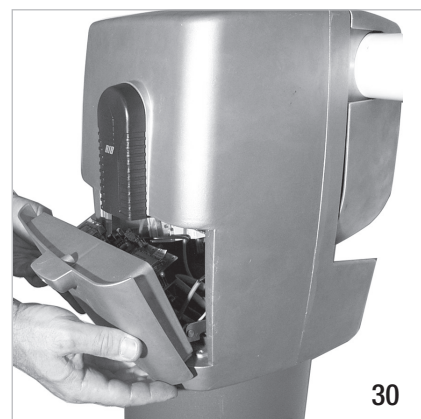
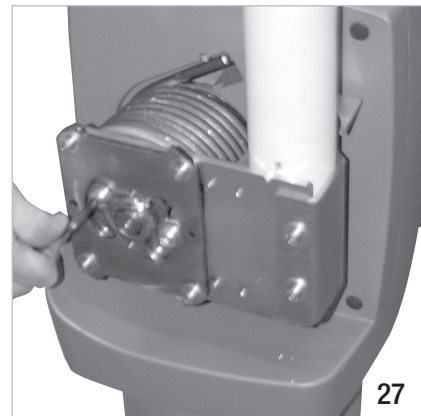
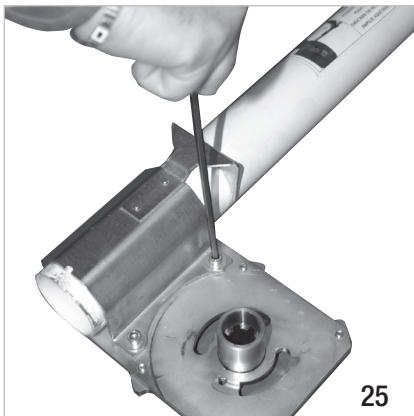
22



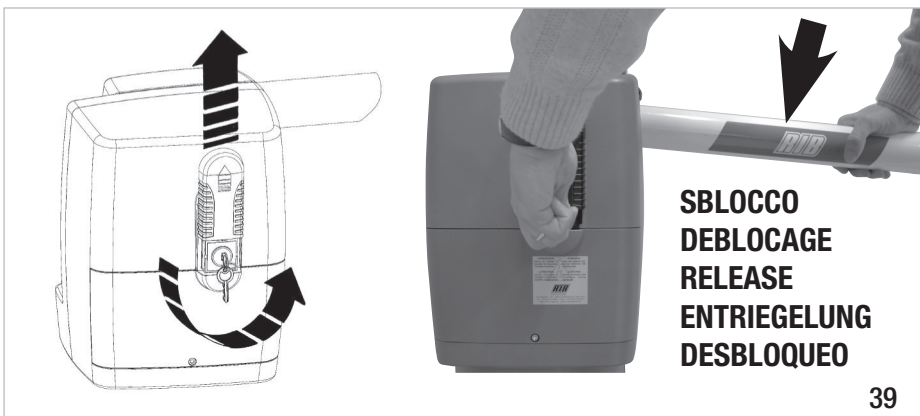
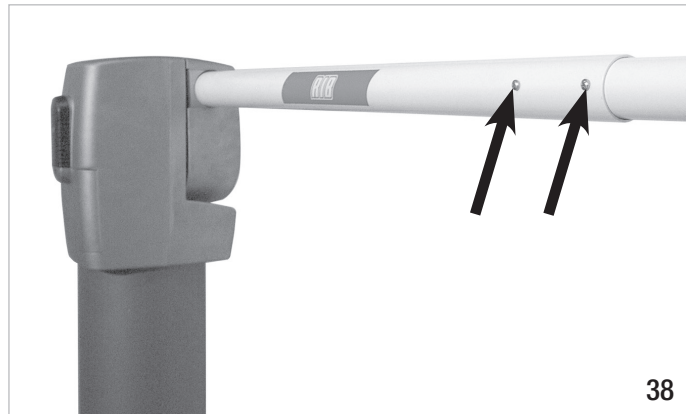
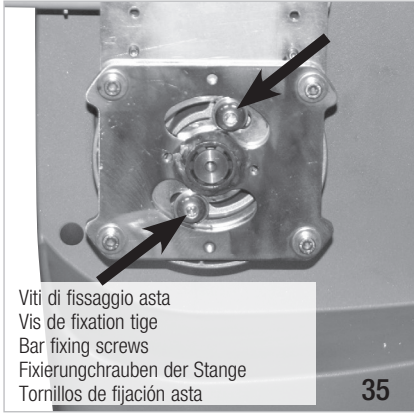
23



24



PRESIDENT PHOTO



CE UK
CA
MADE IN
ITALY

RoHS
COMPLIANT

RIB

AUTOMATISMI PER CANCELLI
AUTOMATIC ENTRY SYSTEMS

COMPANY WITH
QUALITY SYSTEM
CERTIFIED BY DNV
ISO 9001