

DC680G

Rack and pinion gate closer with guide rail

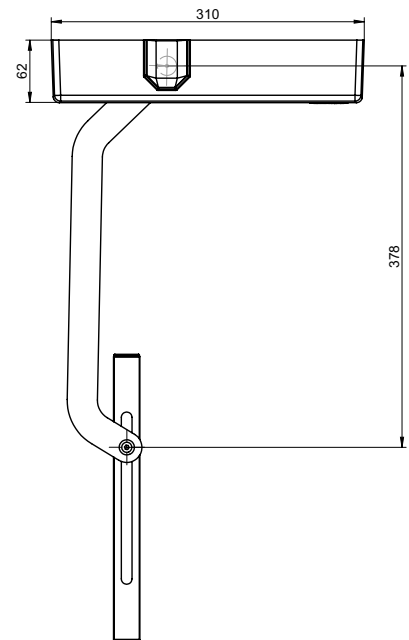
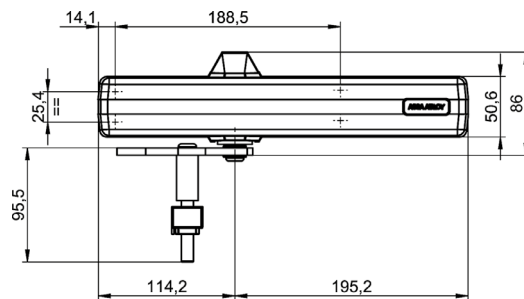


ASSA ABLOY DC680G

- Suitable for non-paneled garden and pedestrian gates
- Adjustable size
- For single action gates leaf from 600 mm up to 1400 mm
-

Characteristics of DC680G

- Gate closer manufactured from heavy duty cast iron
- Adjustable size suitable for gate widths from 600 mm to 1400 mm
- Independent closing and latch speeds controlled by thermostatic valves ensuring stable closing times at different temperatures
- Pinch free guide rail for added safety
- Soft opening and strong closing
- Suitable for gates with or without protruding bars
- Easy to install no welding required
- Supplied complete with fixing plates, guide rail and mounting screws
- Corrosion resistant finishes: black similar to RAL 9004, silver and white similar RAL 9016



Adjustable to suit gate widths	600 mm to 1400 mm
Adjustable pretension	Yes
Gate swing direction	Left/right handed
Closing speed	Variable between 180°-20°
Latching speed	Variable between 20°-0°
Weight	7.8 kg
Height	75 mm
Depth	62 mm
Length	310 mm