

# LEVA "C" 2.0 per DUKE

LEVIER "C" 2.0 pour DUKE

LEVER "C" 2.0 for DUKE

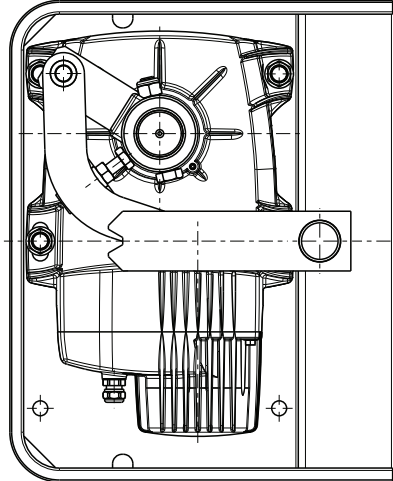
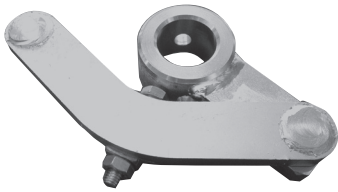
HEBEL "C" 2.0 für DUKE

PALANCA "C" 2.0 para DUKE

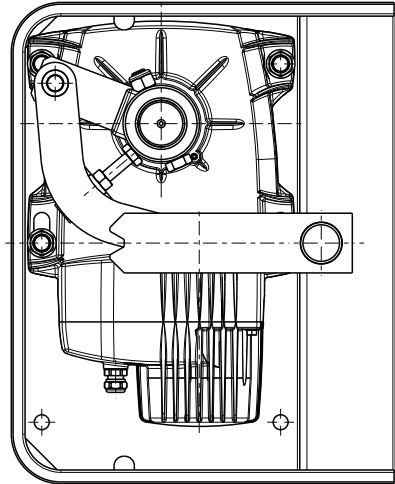


Scarica questo manuale sul tuo cellulare  
Téléchargez ce manuel sur votre mobile  
Download this manual on your mobile  
Laden Sie dieses Handbuch auf Ihr Handy herunter  
Descarga este manual en tu móvil

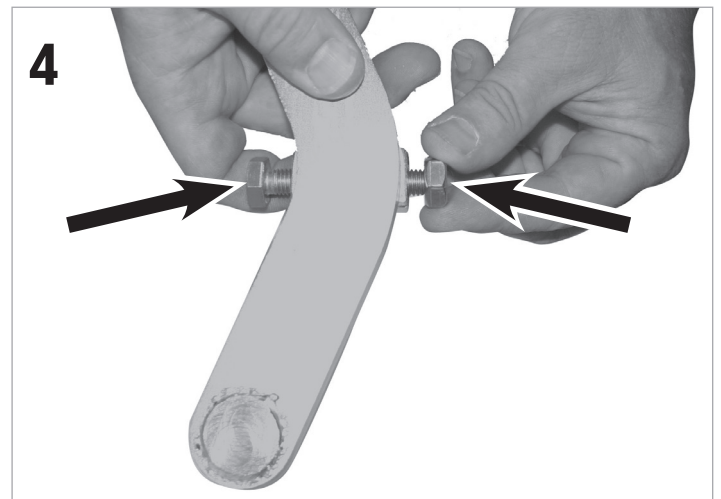
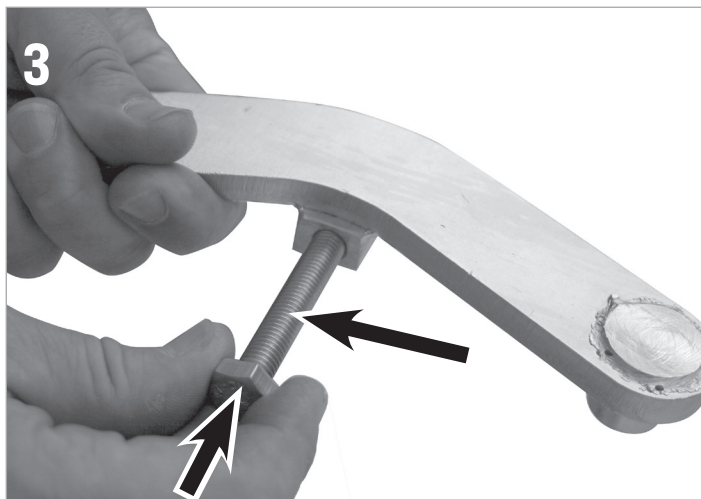
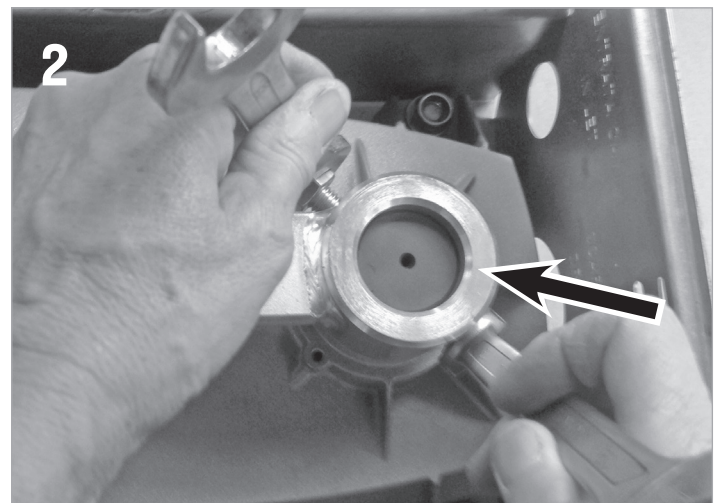
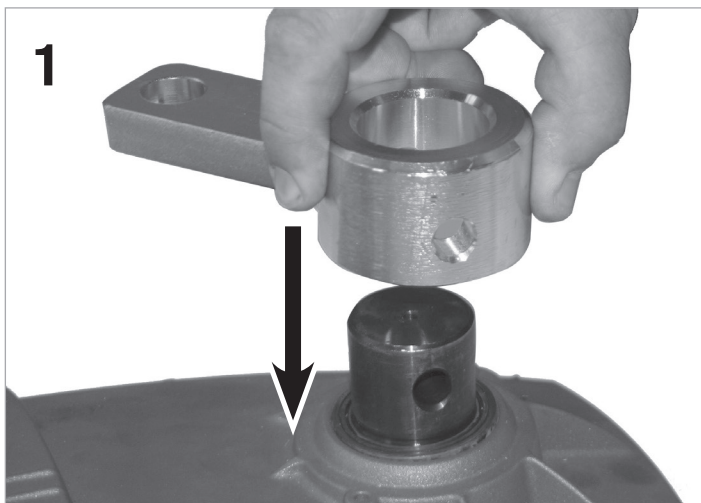
cod. ACG8440B



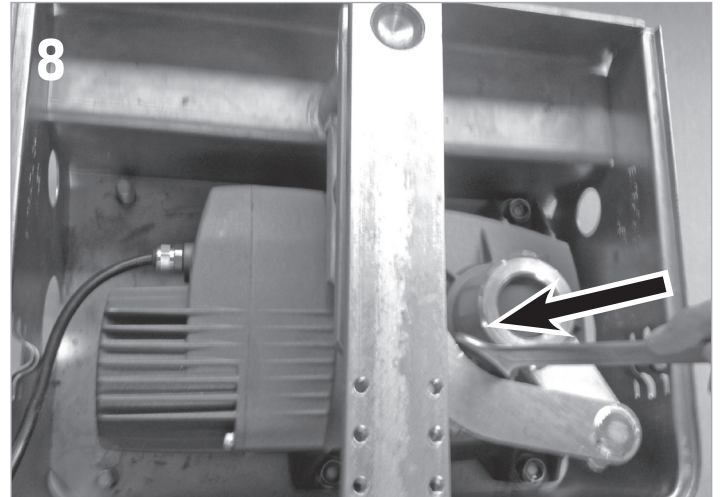
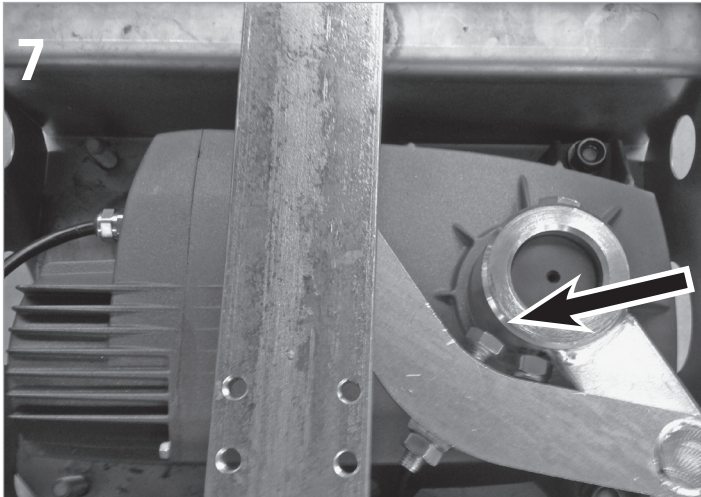
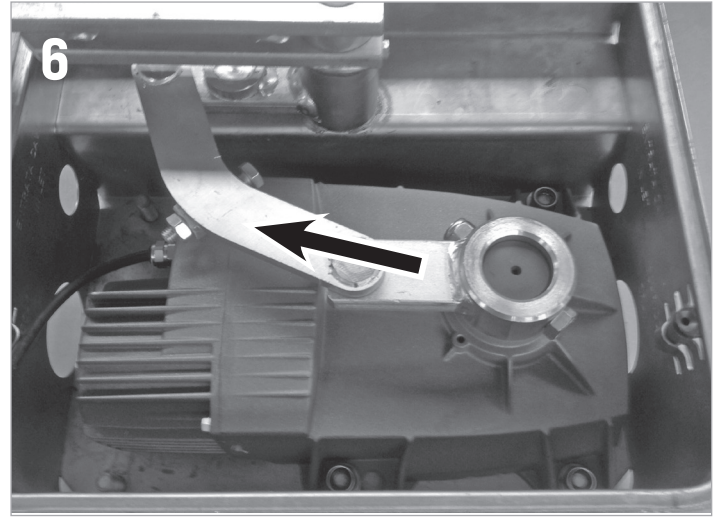
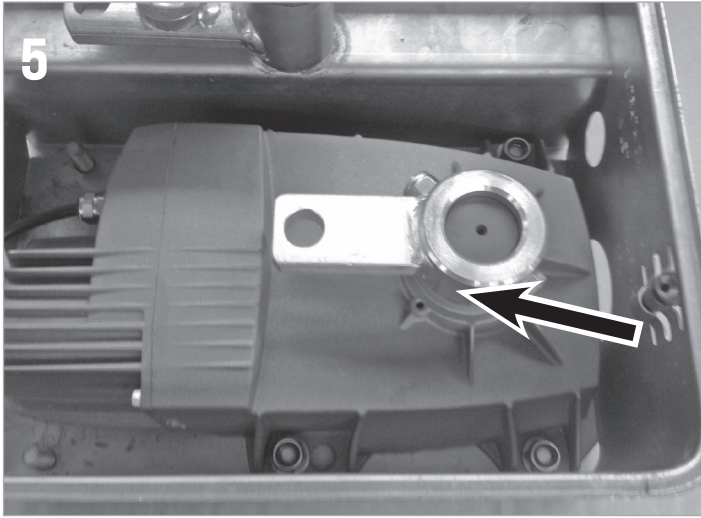
Came 2.0



Came old version



# LEVA "C" 2.0



CE UK  
CA  
MADE IN  
ITALY

RoHS  
COMPLIANT

RIB

AUTOMATISMI PER CANCELLI  
AUTOMATIC ENTRY SYSTEMS

COMPANY WITH  
QUALITY SYSTEM  
CERTIFIED BY DNV  
ISO 9001